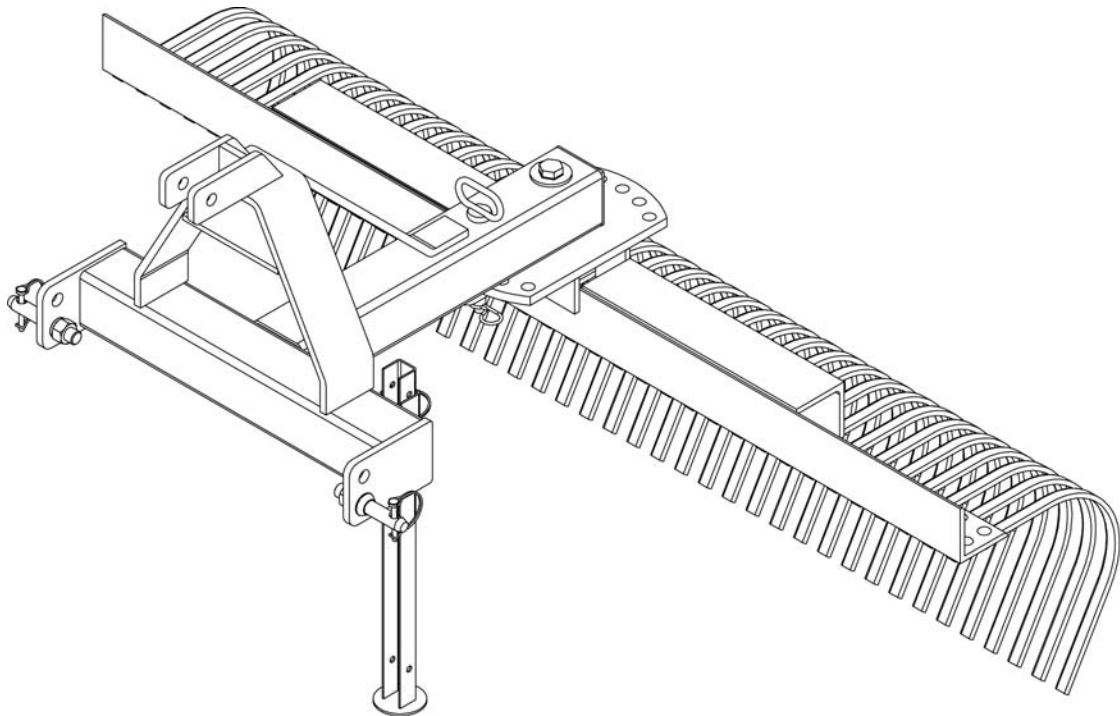


ROTOMECH

Operator's Manual

LANDSCAPE RAKE

BLR-060, BLR-072



The operator's manual is a technical service guide and must always accompany the machine.

SAFETY

Take note! This safety alert symbol found throughout this manual is used to call your attention to instructions involving your personal safety and the safety of others. Failure to follow these instructions can result in injury or death.



This symbol means:
ATTENTION!
BECOME ALERT!
YOUR SAFETY IS INVOLVED!

Signal Words

Note the use of the signal words DANGER, WARNING and CAUTION with the safety messages. The appropriate signal words for each have been selected using the following guidelines:



DANGER: Indicates an imminently hazardous situation that, if not avoided, will result in death or serious injury.



WARNING: Indicates a potentially hazardous situation that, if not avoided, could result in death or serious injury, and includes hazards that are exposed when guards are removed. It may also be used to alert against unsafe practices.



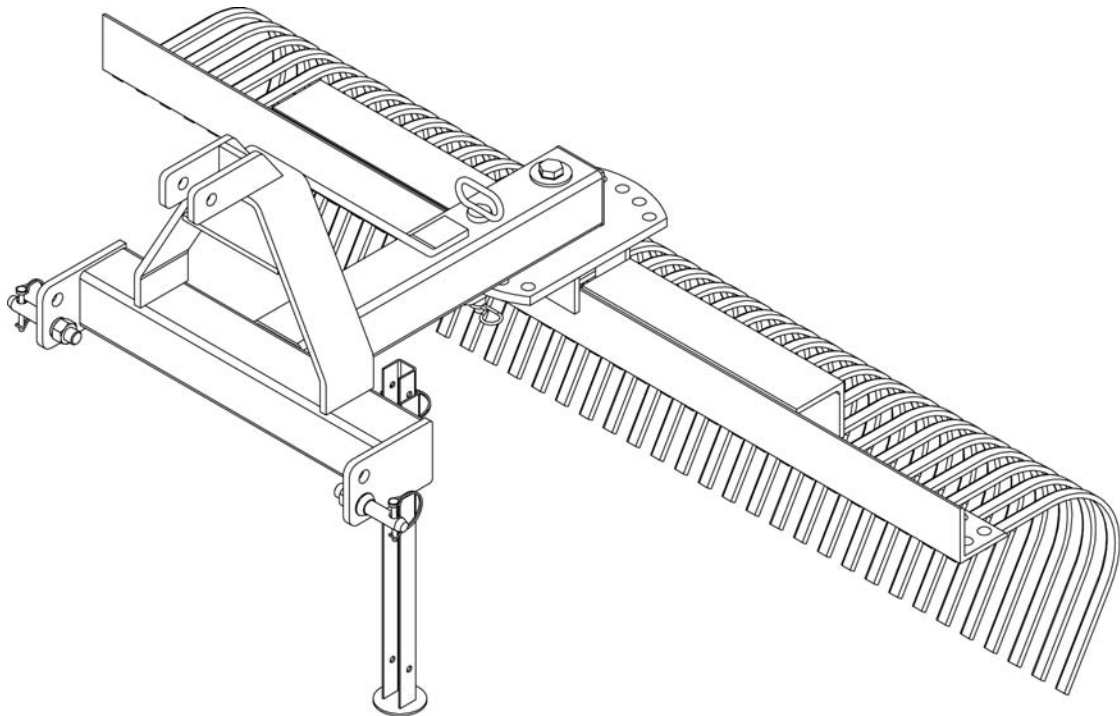
CAUTION: Indicates a potentially hazardous situation that, if not avoided, may result in minor or moderate injury.

ROTOMECH

Operator's Manual

LANDSCAPE RAKE

BLR-060, BLR-072



The operator's manual is a technical service guide and must always accompany the machine.

INDEX

1 - GENERAL INFORMATION	5
1.01 - General	5
1.02 - Warranty Information	5
1.03 - Model and Serial Number ID	6
2 - SAFETY PRECAUTIONS	7
2.01 - Preparation	7
2.02 - Starting and Stopping	8
2.03 - Messages and Signs	8
3 - OPERATION	10
3.01 - Operational Safety	10
3.02 - Set-up	11
3.03 - Assembly Instructions	12
3.04 - Pre-Operational Check	13
3.05 - Attaching to the Tractor	13
3.06 - Start Up	14
3.07 - Working Speed	15
3.08 - Operating Techniques	15
3.09 - Optional Gauge Wheels	17
3.10 - Uneven Terrain	18
3.11 - Transport	18
4 - MAINTENANCE	19
4.01 - Maintenance Safety	19
4.02 - Service	20
5 - REPAIR PROCEDURES	22
5.01 - Rake Tines Replacement	22
5.02 - Suggested Spare Parts	22
5.03 - Storage	23
6 - TROUBLESHOOTING	24
7 - PRE-DELIVERY CHECKLIST	25
8 - WARRANTY	26

1 - GENERAL INFORMATION

Thank you and congratulations for having chosen our implement. Your new landscape rake is a technologically advanced machine constructed of high quality, sturdy components that will fulfil your working expectations. Read this manual carefully. It will instruct you on how to operate and service your implement safely and correctly. Failure to do so could result in personal injury and/or in equipment damage.

1.01 - General



CAUTION: Unless otherwise specified, all hardware is metric. Use only metric tools on metric hardware. Other tools that do not fit properly can slip and cause injury.



CAUTION: Right hand and left hand sides of the implement are determined by facing in the direction the implement will travel when going forward (see fig. 2).

1.02 - Warranty Information

Carefully read the Warranty section¹, detailing coverage and limitations of this warranty. **Warranty** is provided for customers who operate and maintain their equipment as described in this manual. Warranty registration is accomplished by the dealer by completing and forwarding the **Warranty Registration** form to the Company, along with a copy of the dealer's invoice. It is in your best interest to insure that this has been done.

Warranty does not cover the following:

1. Cleaning, transporting, mailing and service call charges.
2. Normal wear items such as rake tines, etc.
3. Depreciation or damage caused by normal wear, accidents, improper maintenance, improper protection or improper use.
4. The use of non-original spare parts and accessories.

Your Authorised Company Dealer has genuine parts in stock. Only these approved replacement parts should be used.

This limited warranty covers defective material and workmanship. The cost of normal maintenance or repairs for accidents or improper use and related labour will be borne by the owner.

¹ See Chapter 8 - Warranty.

1.03 - Model and Serial Number ID

Attached to the frame is an ID plate showing the model and the serial number. Record your implement model and serial number in the space provided below. Your dealer needs this information to give you prompt, efficient service when you order parts.



The image shows a rectangular ID plate for ROTOMEK spa. At the top left is the company logo, a stylized 'R' inside a square. To its right, the text reads 'ROTOMEK spa', '37054 NOGARA (VERONA) ITALY', and 'Tel. +39 0442 510400'. On the top right is the CE mark. Below this information are five input fields: 'MOD.' and 'YEAR' are in a single row; 'N.', 'KW.', and 'KG.' are in a second row.

2 - SAFETY PRECAUTIONS

Safety is the primary concern in the design and manufacture of our products. Unfortunately our efforts to provide safe equipment can be wiped out by a single careless act of an operator.

In addition to the design and configuration of equipment, hazard control and accident prevention are dependent upon the awareness, concern, prudence and proper training of personnel involved in the operation, transport, maintenance and storage of equipment. It is the operator's responsibility to read and understand all safety and operating instructions in the manual and to follow these.

Allow only properly trained personnel to operate the implement. Working with unfamiliar equipment can lead to careless injuries. Read this manual, and the manual for your tractor, before assembly or operation, to acquaint yourself with the machines. It is the owner's responsibility, if this machine is used by any person other than yourself, is loaned or rented, to make certain that the operator, prior to operating, reads and understands the operator's manuals and is instructed in safe and proper use.

2.01 - Preparation



1. Before operating equipment read and understand the operator's manual and the safety signs (**see fig. 2**).
2. Thoroughly inspect the implement before initial operation to assure that all packaging materials, i.e., wires, bands, and tape have been removed.
3. Personal protection equipment including hard hat, safety glasses, hearing protection, safety shoes, and gloves are recommended during assembly, installation, operation, adjustment, maintaining and/or repairing the implement.
4. Operate the implement only with a tractor equipped with an approved Roll-Over-Protective-System (ROPS). Always wear your seat belt. Serious injury or even death could result from falling off the tractor.
5. Clear area to be worked of stones, branches or other debris that might be thrown, causing injury or damage.
6. Before beginning operation, contact local utility companies to make certain there are no bundled gas lines, electrical cables, etc., in the work area.
7. Operate only in daylight or good artificial light.
8. Ensure implement is properly mounted, adjusted and in good operating condition.
9. Ensure that all safety decals are properly installed and in good condition.

2.02 - Starting and Stopping



1. Be sure that no one is near the machine prior to engaging or while the machine is working.
2. Be sure the tractor is in "Neutral" before starting engine.
3. Equipment operating power is ground driven. Know how to stop the tractor quickly in case of an emergency.
4. After striking an obstacle, shut the tractor off, remove key and thoroughly inspect for damage before restarting.

2.03 - Messages and Signs

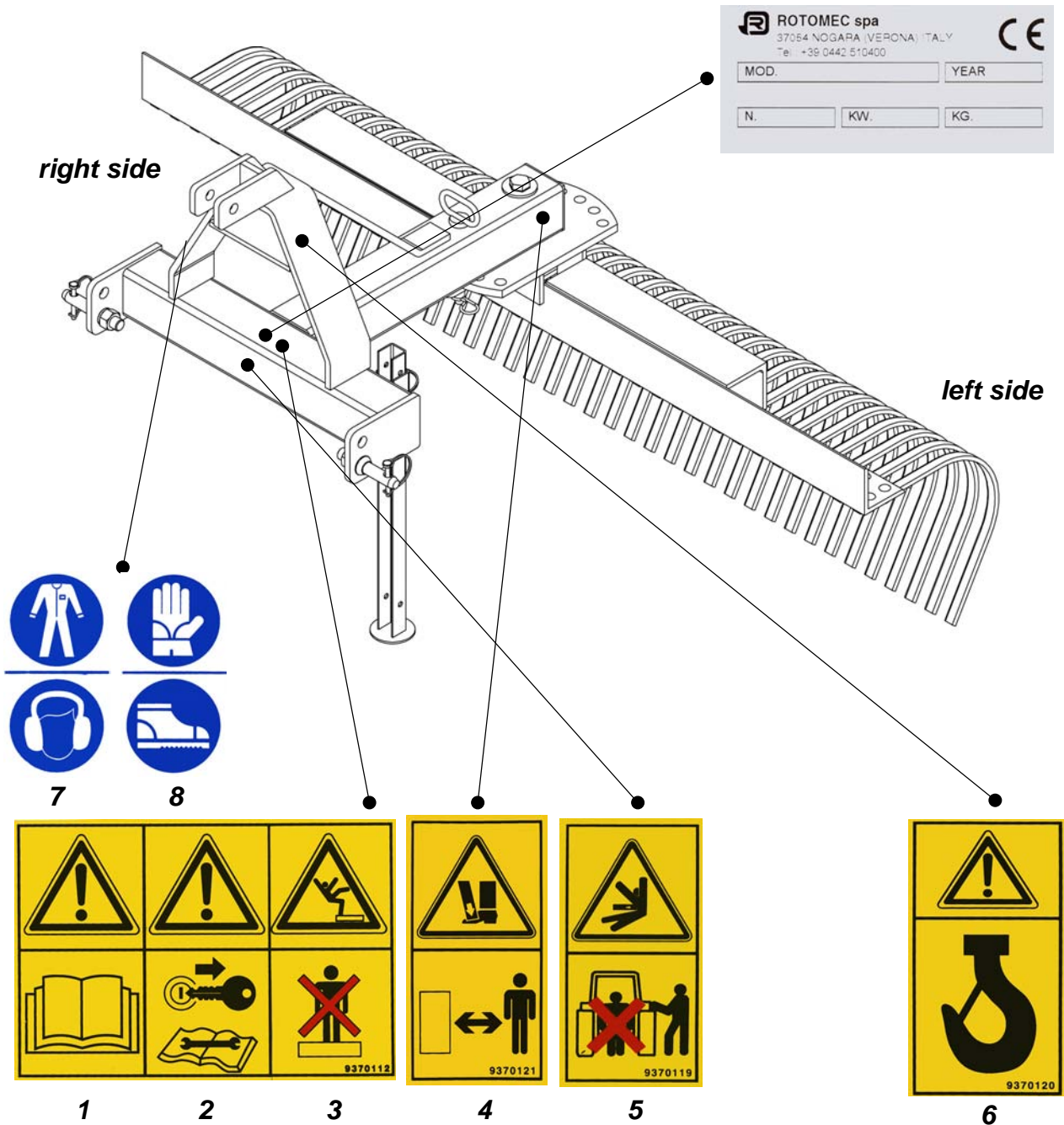


1. Read and adhere to all safety and operating decals on this machine (**see fig. 2**).
2. Before dismounting tractor: Allow moving parts to stop, stop engine, set brake and remove the key of unattended equipment.
3. Keep safety decals in place and in good condition.
4. Do not use with bystanders in area.
5. Allow no riders on tractor or implement.
6. Allow moving parts to stop before repair.
7. Securely support implement before working underneath.

Additional warning and operating decals are available at no extra charge. Please specify model and serial number when ordering.

Fig. 2 - Safety decals; replace immediately if damaged.

- 1. Read this manual carefully.**
- 2. Before maintenance operations, disengage PTO and shut tractor down.**
- 3. Never allow passengers.**
- 4. Keep away; crushing and pinching hazard.**
- 5. Do not stand between tractor and implement when tractor is in gear.**
- 6. Lift point.**
- 7. Wear protective clothing; snug fit work suit and earplugs or earmuffs.**
- 8. Wear protective clothing; safety shoes and gloves.**



3 - OPERATION

You have purchased a landscape rake designed especially for final soil surface preparation. It is perfect for levelling and spreading topsoil, gravel and cinders and for removing stones or trash. It is an ideal machine for hobby farmers and landscapers. The landscape rake is available in 60" and 72" for mounting to tractors from 25 to 65 HP and category 1 three point hitch or category 1 Quick Hitch. These rakes feature a reinforced tine beam designed for tough conditions, 5/16"x1" two hole spring steel tines and offer 10 angling and reversing capabilities (5 forward and 5 reverse positions). Optional gauge wheels for easy height adjustment and a consistent finish even on rolling grounds are available.

3.01 - Operational Safety



CAUTION: Our landscape rakes are designed considering safety as the most important aspect and are the safest available in today's market. Unfortunately, human carelessness can override the safety features built into our machines. Injury prevention and work safety, aside from the features on our landscape rakes, are very much due to the responsible use of the equipment. It must always be operated prudently following with great care, the safety instructions laid out in this manual.



1. The use of this equipment is subject to certain hazards which cannot be prevented by mechanical means or product design. All operators of this equipment must read and understand this entire manual, paying particular attention to safety and operating instructions, prior to using.
2. Do not operate the tractor and implement when you are tired, sick or when using medication.
3. Keep all helpers and bystanders at least several yards from the implement. Only properly trained people should operate this machine.
4. Accidents are most likely to occur with machines that are loaned or rented to someone who has not read the operator's manual and is not familiar with the implement.
5. Always stop the tractor, set brake, shut off the tractor engine, remove the ignition key, lower implement to the ground before dismounting tractor. Never leave equipment unattended with the tractor running.
6. Never place hands or feet under implement with tractor engine running or before you are sure all motion has stopped. Stay clear of all moving parts.
7. Do not reach or place yourself under equipment until it is blocked securely.

8. Do not allow riders on the implement or tractor at any time. There is no safe place for riders.
9. Before backing up, look behind carefully.
10. Never operate tractor and implement under trees with low hanging limbs. Operators can be knocked off the tractor and then run over by the implement.
11. The parts of this machine have been designed and tested for rugged use. However, they could fail upon impact with heavy, solid objects such as steel guard rails and concrete abutments. Such impact could cause the broken objects to be thrown outward at very high velocities. To reduce the possibility of property damage, serious injury, or even death, never allow the machine to contact such obstacles.
12. Frequently check rake tines. They should be free of nicks and cracks and securely fastened.
13. Stop implement immediately upon striking an obstruction. Turn engine off, remove key, inspect and repair any damage before resuming operation.
14. Stay alert for holes, rocks and roots in the terrain and other hidden hazards. Keep away from drop-offs.
15. Use extreme care and maintain minimum ground speed when transporting on hillside, over rough ground and when operating close to ditches or fences. Be careful when turning sharp corners.
16. Before beginning operation, contact local utility companies to make certain there are no bundled gas lines, electrical cables, etc., in the work area.
17. Reduce speed on slopes and sharp turns to minimise tipping or loss of control. Be careful when changing directions on slopes. Do not start or stop suddenly on slopes. Avoid operation on steep slopes.
18. When using a unit, a minimum 20% of tractor and equipment weight must be on tractor front wheels. Without this weight, tractor could tip over, causing personal injury or death. The weight may be attained with a front end loader, front wheel weights, ballast in tires or front tractor weights. When attaining a minimum 20% of tractor and equipment weight on the front wheels, you must not exceed the ROPS weight certification. Weigh the tractor and equipment. Do not guess or estimate!
19. Inspect the entire machine periodically². Look for loose fasteners, worn or broken parts, and leaky or loose fittings.
20. Pass diagonally through sharp dips and avoid sharp drops to prevent "hanging up" tractor and implement.
21. Avoid sudden starts and stops while travelling up or downhill.
22. Always cut down slopes; never across the face. Avoid operation on steep slopes. Slow down on sharp turns and slopes to prevent tipping and/or loss of control.
23. Comply with all federal, state and local laws during transport on roads.
24. Before parking the machine, lower the foot stand and secure it with the lock pins.

3.02 - Set-up

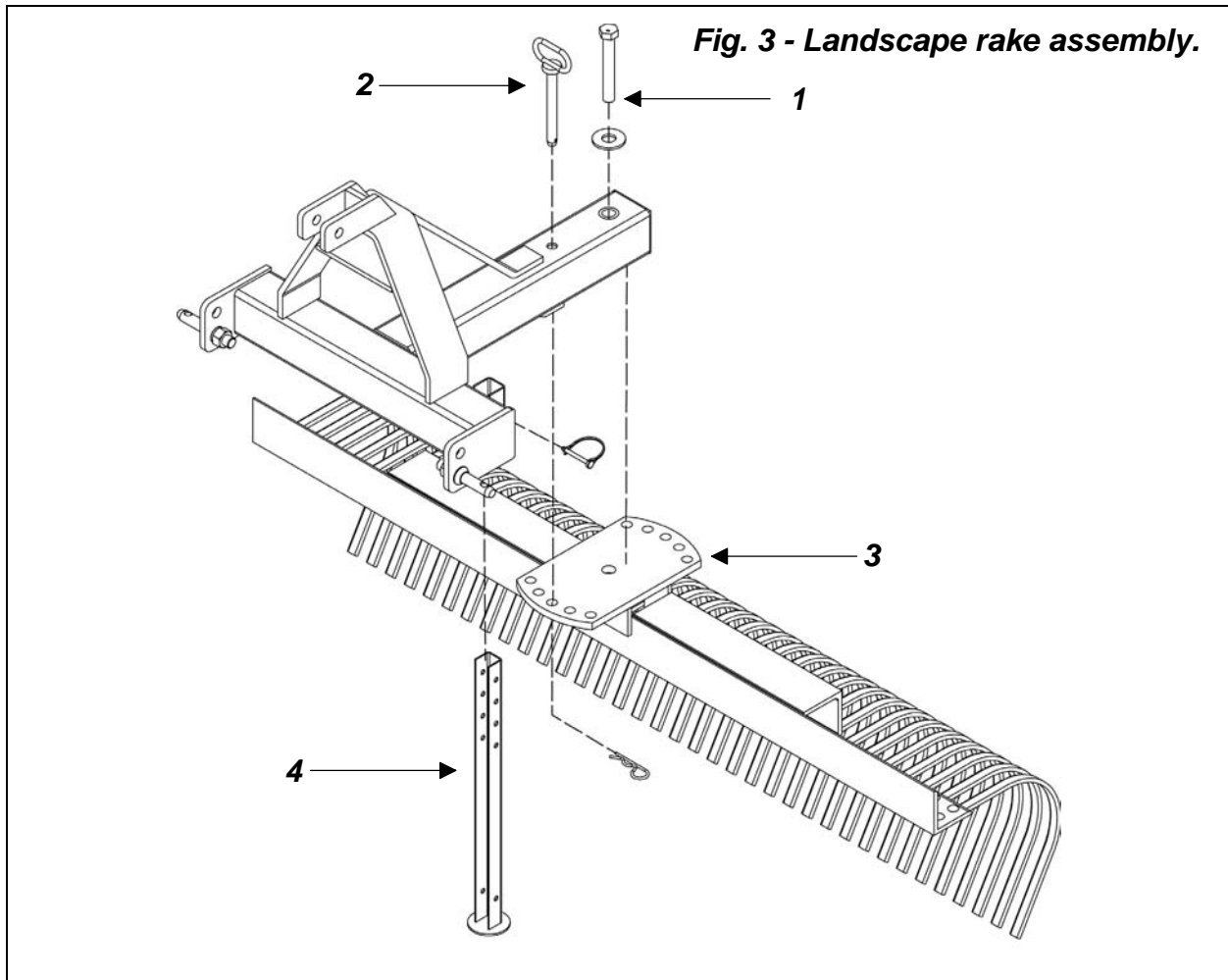
Notice to dealer: Pre-delivery set-up and service including lubrication is the responsibility of the authorised dealer. It is up to him to assure that the machine is in perfect condition and ready to be used. It is his responsibility to ensure that the

² See Chapter 4 - Maintenance.

customer is aware of all safety aspects and operational procedures for the implement. He must also fill out the Pre-Delivery Checklist³ prior to delivering the implement.

3.03 - Assembly Instructions

For transportation purposes the "A" frame of the landscape rake is not assembled to the frame.



To assemble the "A" frame to the rake assembly proceed as follows:

1. Securely block rake assembly with blocks or stands so that swivel plate (**see #3, fig. 3**) is facing upward.
2. Position the "A" frame on top of the rake assembly, insert the swivel pin (**see #2, fig. 3**) and secure with the hairpin cotter.
3. Insert the foot stand (**see #4, fig. 3**) in storage position to support the rake and secure with wire lock pin.

³ See Chapter 7 - Pre-Delivery Checklist.

4. Screw the pivot bolt (**see #1, fig. 3**) and washer to the welded nut on the rake assembly and tighten to correct torque⁴.
5. Rake tines may need to be repositioned. Loosen the hex nuts and adjust tines to proper position.
6. Ensure all hardware is properly tightened.



CAUTION: Stand clear of bands when cutting as they could be under sufficient tension to cause them to fly loose. Take care in removing bands and wire. They often have extremely sharp edges and cut very easily.

3.04 - Pre-Operational Check

IMPORTANT: Check each of the following, carefully, prior to engaging the equipment:

1. No wrappings or foreign objects are around the implement.
2. The tines are properly installed and the bolts properly torqued⁵.
3. All hardware is tight.
4. No people or animals are in the work area.



WARNING: Ensure pivot bolt is properly tightened to the welded nut on rake beam and that swivel pin is secured in place with “R” clip. Rake can fall if pivot bolt and swivel pin are not securely installed.

3.05 - Attaching to the Tractor

The landscape rake may be used on tractors up to 65 HP and a category 1 three point hitch or a category 1 Quick Hitch.



DANGER: Never allow anyone to stand between the landscape rake and tractor during hook-up operations.

To attach the landscape rake to the tractor proceed as follows (**see fig. 4**):

1. Back up the tractor to the landscape rake until the draft links align with the lower hitch pins.
2. Stop engine, engage parking brakes and remove key before dismounting tractor.
3. Secure the draft links to the hitch pins and secure them in place with cotter pins.
4. Raise foot stand all the way up and secure with lynch pin.
5. Attach top link to the top hitch of the landscape rake using a top link pin.

⁴ Refer to Table 1 - Torque Specifications, page 21.

⁵ Refer to Table 1 - Torque Specifications, page 21.

6. Adjust the tractor sway chains/bars to centre the landscape rake behind the tractor and control the side sway.
7. Ensure rake is level by adjusting draft links and top link.
8. Slowly operate tractor controls up and down to ensure that the drawbar, tires and other equipment on the tractor does not touch the rake frame and tines. If necessary adjust or remove tractor drawbar to eliminate interference with rake. Ensure rake is at least 6" from tractor tires throughout the complete range of three point movement.

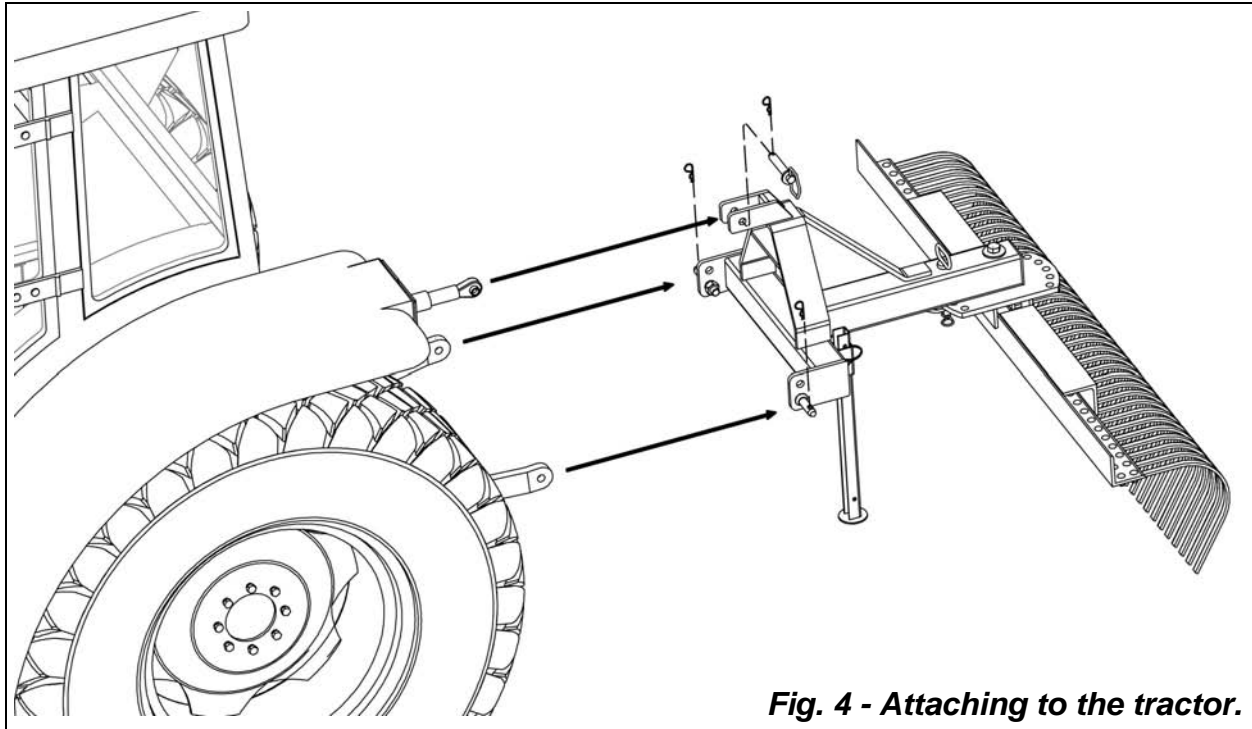


Fig. 4 - Attaching to the tractor.



DANGER: Never attempt to attach the implement to the tractor or make any adjustments to it without first turning the tractor off.



DANGER: Failure to ensure a secure coupling of the implement to the tractor can cause injury and damage to the implement or tractor.

3.06 - Start Up



DANGER: Never allow anyone around the implement when it is in operation.



CAUTION: For emergency reasons, learn how to stop the tractor and implement quickly.

Before starting to work, never forget that the **operator is responsible** for the following:

1. Safe and correct driving of the tractor and implement.
2. To learn precise safe operating procedures for both the tractor and the implement.
3. To ensure all maintenance and lubrication has been performed on the implement.
4. To have read and understood all safety aspects for the implement in the operator's manual.
5. To have read and understood all safety decals on the implement.
6. To have contacted the local utility companies to make certain there are no bundled gas lines, electrical cables, etc., in the work area.
7. Checking the overall condition of the machine.
8. Checking to see if front weights need to be added to the tractor in order to maintain balance.
9. Checking the tractor tires for the proper pressure in accordance with the tractor operator's manual.
10. Making sure the proper attire is worn. Avoiding loose fitting clothing which can become entangled. Wearing sturdy, tough-soled work shoes and protective equipment for eyes, hands, ears and head. Never operate tractor or implements in bare feet, sandals or sneakers.
11. Checking area for stones, branches and other debris that might be thrown.
12. Ensuring proper lighting is available, sunlight or good artificial lighting.

3.07 - Working Speed

Ground speed is determined by the soil condition and tractor power. Simple experimentation will determine the best speed for the desired results, usually 2 to 5 mph.

3.08 - Operating Techniques

Top link adjustment:

The landscape rake level can be adjusted by adjusting the tractor's top link. Lengthening the top link will allow the rake to contact the ground at a sharper pitch and will result in a more aggressive action.

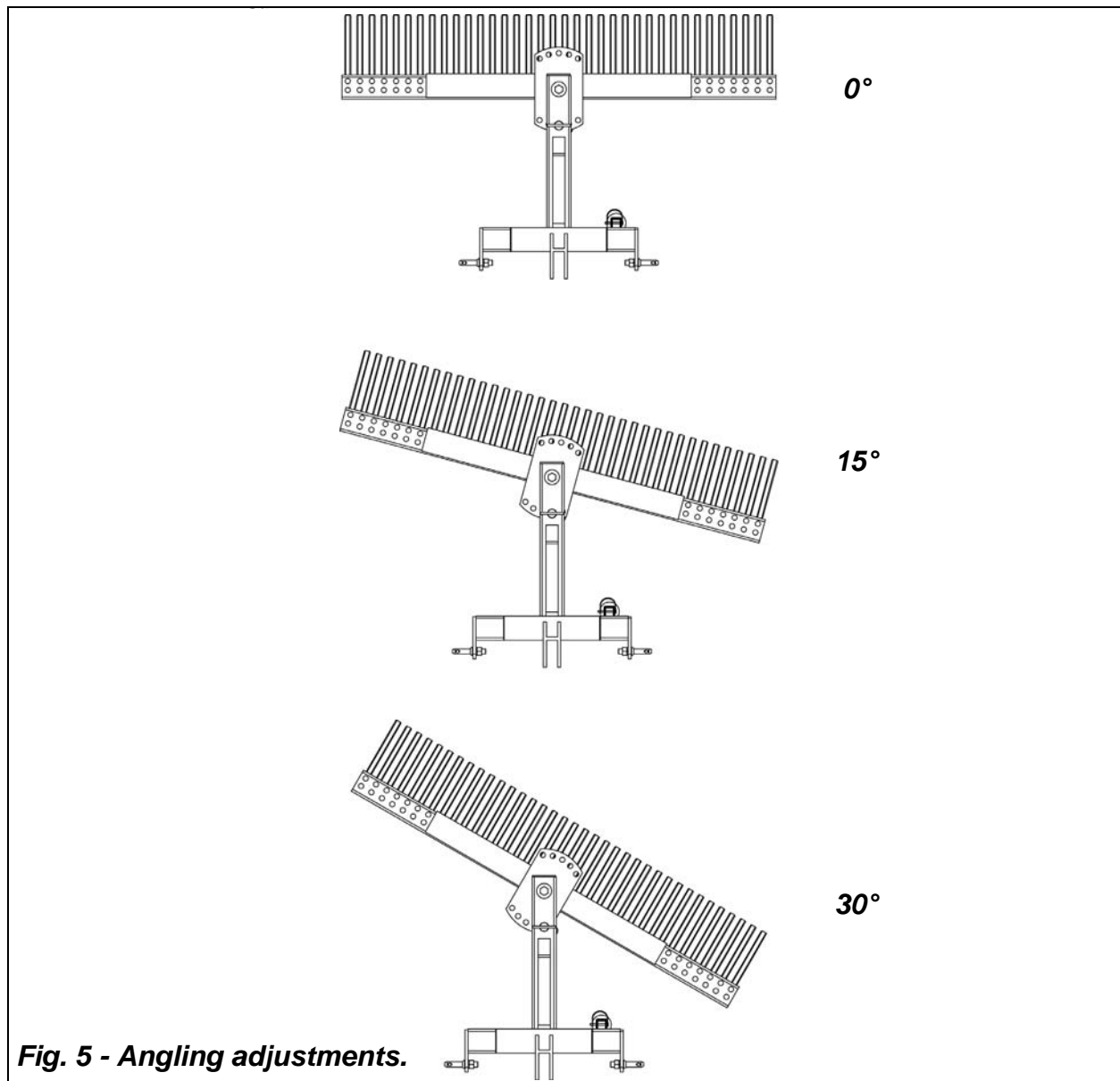
Draft links adjustment:

The tilt of the rake, so that one end is lower than the other, can be adjusted by adjusting the tractor's three point arms.

Reversing or angling adjustments (see fig. 5):

The landscape rake may be rotated 360 degrees with a total of 10 settings (5 forward and 5 reverse).

For most tractors rake can be rotated without unhooking from the tractor. Wider models may require disassembly of pivot bolt to reverse the rake.



To angle or reverse the rake proceed as follows:

1. Lift implement from the ground.
2. Loosen pivot bolt if necessary (**see #1, fig. 3**).
3. Remove hairpin cotter and pull out swivel pin (**see #2, fig. 3**).
4. Set rake at desired angle and replace swivel pin and hairpin cotter.
5. Re-tighten pivot bolt before resuming operation.

Note: The rake may be used for backfilling only in light applications.



CAUTION: Depending on the size of the tractor, you may not be able to tilt the rake and still be able to raise it high enough to clear the ground during transport.

3.09 - Optional Gauge Wheels

The optional gauge wheels for easy height adjustment will enable a consistent finish even on rolling grounds.

To install the gauge wheels proceed as follows (see fig. 6):

1. Raise rake off the ground.
2. Stop engine, engage parking brakes and remove key before dismounting tractor.
3. Remove the 6 carriage bolts per side that attach the tines to the frame of the rake.
4. Attach wheel arm on top of rake tine frame and install 4 carriage bolts in place of the ones that were removed.
5. Install 2 hex head bolts on the center of the wheel arms.
6. Remove lynch pin from wheel yoke and set adjustment spacers at desired height of operation. Spacers can be added or removed above or below the wheel arm to adjust height.
7. Replace lynch pin through wheel yoke.

IMPORTANT: Every 8 hours of operation, grease wheel yokes.

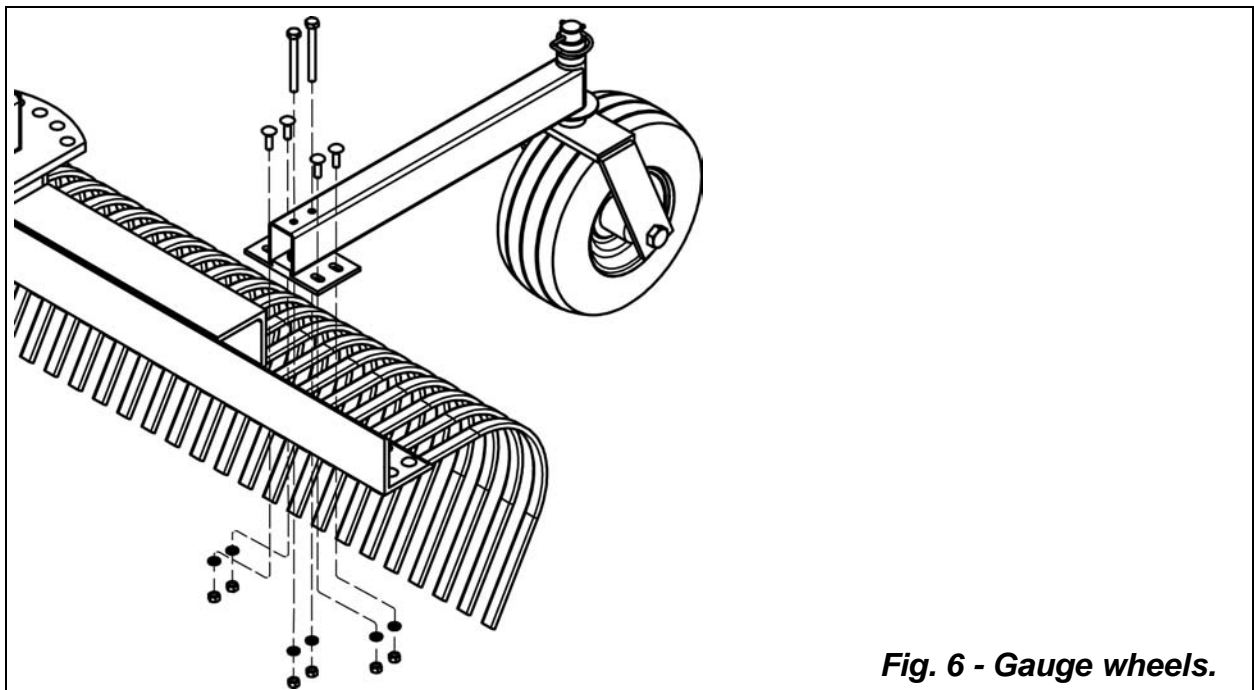


Fig. 6 - Gauge wheels.

3.10 - Uneven Terrain



DANGER: Be careful of rollover when operating tractor and implement over uneven ground.

The following precautions should always be observed when working on uneven terrain:

1. In extremely uneven terrain rear wheel weights, front tractor weights, and/or tire ballast should be used to improve stability.
2. Observe the type of terrain and develop a safe working pattern.
3. Operate the implement up and down steep slopes, not across slopes, to prevent the tractor from tipping. Avoid sudden stops and starts, and slow down before changing directions on a slope.
4. Pass diagonally through sharp dips and avoid sharp drops to prevent hanging up the tractor and implement.
5. Slow down on sharp turns and slopes to prevent tipping or loss of control.
6. Watch for holes, roots or other hidden objects. Do not use near the edge of a gully, ditch or stream bank.

3.11 - Transport



CAUTION: Do not tow tractor and implement behind other vehicles. Use a properly equipped trailer with heavy tie-downs for towing operations.

Before transporting:

1. Always select a safe ground speed that is appropriate for the terrain.
2. Beware of traffic on public roads. Install a SMV (Slow Moving Vehicle) sign when travelling on roads or streets. Comply with all federal, state and local laws.
3. Reduce ground speed when turning and take care that the implement does not strike obstacles such as trees, fences or buildings.

4 - MAINTENANCE



DANGER: Stop engine, lock parking brake and remove key before performing any service or maintenance.

Never rely on the tractor lift system. Install blocks or stands under the implement to prevent it from falling.

Always use personal protection devices, such as glasses or gloves when performing maintenance.

Keep fingers out of slots to prevent injury.

4.01 - Maintenance Safety



1. Good maintenance is your responsibility.
2. Keep service area clean and dry. Be sure electrical outlets and tools are properly grounded. Use adequate light for the job at hand.
3. Make sure there is plenty of ventilation. Never operate the engine of the towing vehicle in a closed building. The exhaust fumes may cause asphyxiation.
4. Make no repair or adjustments with the tractor engine running. Before working on the machine, shut off the engine, set the brakes, and remove the ignition key.
5. Be certain all moving parts have come to a complete stop before attempting to perform maintenance.
6. Never work under equipment unless it is blocked securely.
7. Always use personal protection devices such as eye, hand and hearing protectors, when performing any service or maintenance.
8. Frequently check tines. They should be free of nicks and cracks and securely fastened.
9. Periodically tighten all bolts, nuts and screws and check that all cotter pins are properly installed to ensure unit is in a safe condition.
10. After servicing, be sure all tools, parts and service equipment are removed.
11. Never replace hex bolts with less than grade five bolts unless otherwise specified, i.e. shear bolts⁶.
12. Where replacement parts are necessary for periodic maintenance and servicing, genuine replacement parts must be used to restore your equipment to original specifications. The company will not claim responsibility for use of unapproved parts and/or accessories and other damages as a result of their use.

⁶ Refer to Table 1 - Torque Specifications, page 21.

13. Unauthorised modifications to the machine may impair the function and/or safety of the machine and reduce its life. If equipment has been altered in any way from original design, the manufacturer does not accept any liability for injury or warranty.

4.02 - Service

Hourly or whenever an obstacle is hit:

1. Check machine condition, particularly the tines.
2. Replace any damaged or worn tine.
3. Remove any wrapping (stalks, weeds, trash, etc.) from implement.

Every 8 hours:







Grease wheel yokes on optional gauge wheels.

Every 25 hours:

Check hardware tightness; vibration can loosen bolts⁷.

⁷ Refer to Table 1 - Torque Specifications, page 21.

TABLE 1 - TORQUE SPECIFICATIONS

Metric (ISO) treaded bolts head marking		 Class 5.8	 Class 8.8	 Class 10.9	Inch (SAE) treaded bolts head marking		 Grade 2	 Grade 5	 Grade 8						
Bolt size mm	Thread mm	N.m	ft-lb	N.m	ft-lb	N.m	ft-lb	Bolt size inch	Thread inch tpi	N.m	ft-lb	N.m	ft-lb	N.m	ft-lb
M5	0.8	4	3	6	4	9	7	1/4"	20	7	5	11	8	16	12
M6	1	6	4	10	7	15	11	1/4"	28	8	6	13	10	19	14
M8	1.25	16	12	25	18	36	27	5/16"	18	15	11	24	17	33	25
M8	1	17	13	26	19	38	28	5/16"	24	17	13	26	19	37	27
M10	1.5	31	23	48	35	71	52	3/8"	16	27	20	42	31	59	44
M10	1.25	33	24	51	38	75	55	3/8"	24	31	23	47	35	67	49
M10	1	35	26	53	39	78	58	7/16"	14	43	32	67	49	95	70
M12	1.75	54	40	84	62	123	91	7/16"	20	48	36	75	55	106	78
M12	1.5	56	41	87	64	128	94	1/2"	13	66	48	102	75	144	106
M12	1.25	59	44	90	66	133	98	1/2"	20	75	55	115	85	163	120
M14	2	84	62	133	98	195	144	9/16"	12	95	70	147	109	208	154
M14	1.5	94	69	142	105	209	154	9/16"	18	106	79	164	121	232	171
M16	2	131	97	206	152	302	223	5/8"	11	132	97	203	150	287	212
M16	1.5	141	104	218	161	320	236	5/8"	18	149	110	230	170	325	240
M18	2.5	181	133	295	218	421	310	3/4"	10	233	172	361	266	509	376
M18	2	196	145	311	229	443	327	3/4"	16	261	192	403	297	569	420
M18	1.5	203	150	327	241	465	343	7/8"	9	226	167	582	430	822	606
M20	2.5	256	189	415	306	592	437	7/8"	14	249	184	642	473	906	668
M20	1.5	288	212	454	335	646	476	1"	8	339	250	873	644	1232	909
M22	2.5	344	254	567	418	807	595	1"	12	371	273	955	704	1348	995
M22	1.5	381	281	613	452	873	644	1-1/8"	7	480	354	1077	794	1746	1288
M24	3	444	327	714	526	1017	750	1-1/8"	12	539	397	1208	891	1958	1445
M24	2	488	360	769	567	1095	808	1-1/4"	7	677	500	1519	1120	2463	1817
M27	3	656	484	1050	774	1496	1103	1-1/4"	12	750	553	1682	1241	2728	2012
M27	2	719	530	1119	825	1594	1176	1-3/8"	6	888	655	1992	1469	3230	2382
M30	3.5	906	668	1420	1047	2033	1499	1-3/8"	12	1011	746	2268	1673	3677	2712
M30	2	1000	738	1600	1180	2250	1659	1-1/2"	6	1179	869	2643	1949	4286	3161
M36	4	1534	1131	2482	1830	3535	2607	1-1/2"	12	1326	978	2974	2194	4823	3557

When using lock washers with nuts, increase torque values by 5%.

TABLE 2 - LANDSCAPE RAKES - TECHNICAL FEATURES

Standard duty series, for tractors up to 65 HP, 3 point hitch cat. 1				
Model	HP	Working width cm.	Weight Kg	# of Tines
BLR-060	25-65	150	100	30 (2 holes)
BLR-072	25-65	180	112	36 (2 holes)

5 - REPAIR PROCEDURES



CAUTION: All repair procedures must be done by authorised dealerships. It is not recommended that untrained individuals perform any repair work. The following operations are detailed for qualified personnel only. Never work under the implement without properly blocking the unit.

5.01 - Rake Tines Replacement

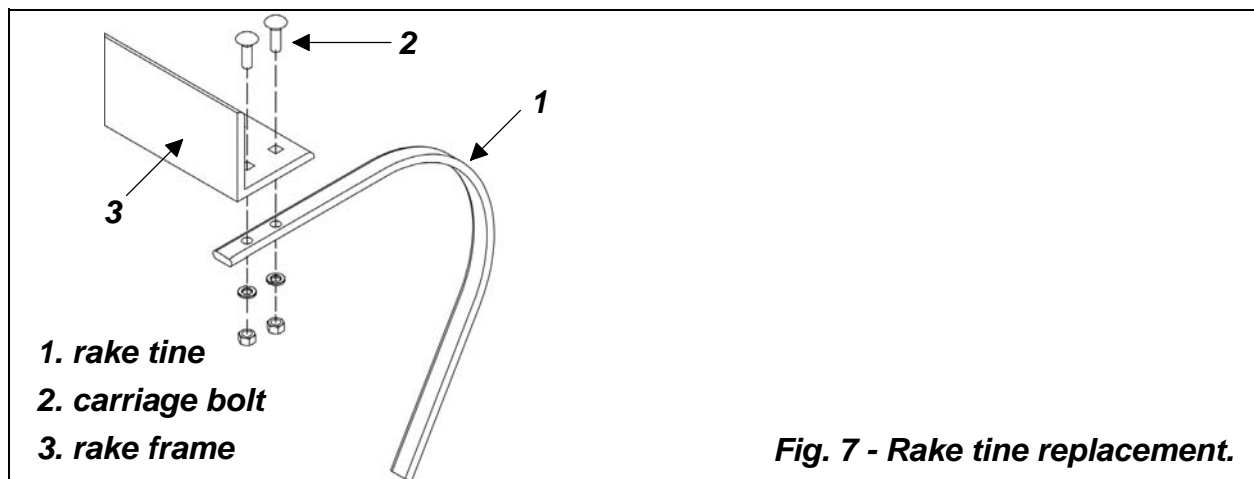


CAUTION: Always keep feet away from the tines. It is possible that they could slip and fall causing injury.

Rake tines should be replaced when either damaged or they have lost their original shape.

Tines can be replaced by (see fig. 7):

1. Removing 2 carriage bolts.
2. Installing the replacement tine.
3. Tightening down by using a lock washer and a hex nut.



5.02 - Suggested Spare Parts

It is suggested that the following spare parts be kept on hand for the implement at all times to prevent a minor problem from delaying work.

Description	Quantity
Tines	4
Carriage bolts, nuts & washers	8

5.03 - Storage

After seasonal use it is important to perform the following for prolonged storage:

1. Wash the implement carefully.
2. Inspect the implement and replace worn or damaged parts.
3. Tighten all hardware⁸.
4. Grease all areas indicated under Maintenance⁹.
5. Apply a thin layer of grease to rake tines to prevent them from rusting.
6. Cover the implement from the elements in order to have it in perfect condition for the start of the next season.



WARNING: Be sure to store the implement on a hard level surface and away from people especially children.

The machine demolition operations should be carried out in compliance with all federal, state and local environment protection laws.

⁸ Refer to Table 1 - Torque Specifications, page 21.

⁹ See Chapter 4 - Maintenance.

6 - TROUBLESHOOTING



WARNING: Be sure tractor engine is off, parking brake is locked, and key is removed before making any adjustments.

PROBLEM	POSSIBLE CAUSE	SOLUTION
Tines won't penetrate ground surface.	Soil condition is extremely packed.	Lengthen tractor's top link to increase tine penetration.
	Tractor's top link not adjusted properly.	Adjust tractor's top link, see paragraph 3.08 - Operating Techniques.
	Tines may be worn.	Replace tines.

7 - PRE-DELIVERY CHECKLIST

To the dealer: Inspect the machine thoroughly after assembly to assure it is functioning properly before delivering it to the customer. The following checklist is a reminder of points to cover. Check off each item as it is found satisfactory or after proper adjustment is made.

- Guards and shield properly fastened.
- Lubrication of grease fittings.
- All hardware properly tightened.
- All decals properly located and readable (**see fig. 2**).
- Tines properly installed, bolts and nuts tightened.
- Overall condition (touch up scratches, clean and polish).
- Test run, check for excessive vibration or overheating of bearings.
- Operator's Manual.

Review the Operator's Manual with the customer. Explain the following:

- Warranty.
- Safe operation and service.
- Correct machine installation and operation.
- Daily and periodic lubrication, maintenance and inspections.
- Troubleshooting.
- Operational procedures and storage.
- Parts and service.
- Fill out the Pre-Delivery Checklist and Warranty Registration form.
- Give customer the Operator's Manual and encourage the customer to read the manual carefully.

IMPORTANT: Warranty is not valid unless Pre-Delivery Checklist and Warranty Registration form in Operator's Manual is completed in detail and mailed to the Company.

Model Number: _____

Serial Number: _____

Delivery Date: _____

Dealer's Signature: _____

8 - WARRANTY

The Company warrants its machine from defects in material and workmanship. The machines are warranted from the invoice date for the following periods.

1. **24 months** for private use.
2. **12 months** for commercial, contractual and public use.
3. **30 days** for loan or rental.

This warranty is valid only if the Warranty Registration Form is properly completed and sent to the Company within 14 days of delivery along with copy of the invoice.

This warranty is valid only if the machine is paid for in full.

The warranty coverage shall not be transferable from the first owner to any subsequent owner.

This document is the only warranty for this machine, any other promises, express or implied other than those set forth herein are not applicable.

The customer can not request any special provisions or changes to this warranty covering additional responsibilities or liability from the Company.

The Company determines whether the warranty covers the substitution or the repairing of the machine or parts.

The customer is responsible, in all cases, for expenses of lubricants, transportation, any custom duties and applicable taxes.

The substitution or the repair of parts under warranty do not extend the length of said warranty.

This limited warranty does not apply to and excludes drivelines and driveline related safety devices (shear pin yokes, shear pins, slip clutches, clutch discs), tires, belts, blades and other wear items.

At no time will the responsibility of the Company surpass the original purchase price of the machine. The purchaser agrees, not to have any rights to any compensation from the Company, including but not limited to, any eventual damages or accidents, loss of profit, loss of sales, injuries or damages of any kind or nature, or other accidents or losses which could result.

If during the period covered by this warranty, the machine fails to perform due to material or workmanship defects, the purchaser is to immediately make the Company aware of this defect. It is the Company's right to determine if the machine is to have parts replaced, repaired or the machine returned.

The Company will not accept any returned items without prior express written authorisation.

This warranty does not cover cost of labour for the replacement of parts.

Misuse or use of this machine other than ways outlined in the operator's manual or literature invalidates this warranty.

All obligations of the Company under this limited warranty shall be terminated if original parts of this machine have been modified or altered in any way, the machine has been repaired by unauthorised dealers, or when unauthorised spare parts have been used.

The Company reserves the right to modify or update machines without the obligation of modifying or updating previously sold machines.

Venue: Any judgements will be decided by the Verona Court.

EC Declaration of Conformity
according to Directive 2006/42/EC

We

ROTOMECC spa
Via Molino di Sopra, 56
37054 Nogara (Verona), Italy

declare under our sole responsibility, that the product:

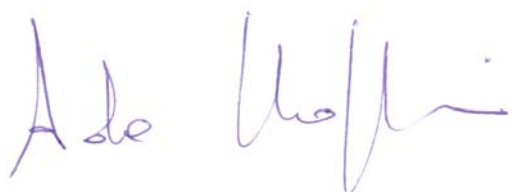
Landscape Rake

Model _____ **Serial Nr.** _____

to which this declaration relates corresponds to the relevant basic safety and health requirements of the Directive 2006/42/EC.

For the relevant implementation of the safety and health requirements mentioned in the Directives, the following standards were consulted: UNI EN ISO 4254-1.

National and International Requirements: ISO 11684.



Ada B. Figna
Chief Executive Officer

Nogara, December 29, 2020

WARRANTY REGISTRATION

ROTOMECC spa

Via Molino di Sopra, 56

37054 Nogara (Verona) - Italy

Tel.: +39-0442-510400 - Fax: +39-0442-510038

Dealer	Acct. #	Retail Customer
Street	Country	Street
Town	State Zip	Town State Zip
Date of delivery	Invoice #	Phone
Model #	Serial #	Date
<p>Pre-Delivery Checklist:</p> <p><input type="checkbox"/> Oil in gearbox.</p> <p><input type="checkbox"/> Greased fittings.</p> <p><input type="checkbox"/> Safety guards in place.</p> <p><input type="checkbox"/> All hardware tight.</p> <p><input type="checkbox"/> Bolts torqued correctly.</p> <p><input type="checkbox"/> Attached unit to tractor. Yes/No.</p> <p><input type="checkbox"/> Field adjusted. Yes/No.</p> <p><input type="checkbox"/> Test run. Dry/Infield.</p> <p><input type="checkbox"/> Safety decals.</p> <p><input type="checkbox"/> Operator's Manual.</p> <p>The machine described above, has been prepared for delivery according to the Pre-Delivery Check List and the Customer has been instructed in its care and operation and the condition of warranty.</p>		<p>Tractor make: _____</p> <p>Model: _____; HP _____</p> <p>Type of operation: Schools Maintenance, Landscaper, Commercial Maintenance, Golf Course, Municipality, Turf Farm, Others: _____</p> <p>Approximate number of acres the machine will be used on annually: _____</p> <p>I hereby acknowledge that: I have received and accepted delivery of the machine described. The equipment was checked thoroughly for loose or missing parts and has been adjusted in accordance with the Pre-Delivery Checklist. I have read and understand the nature and extent of the warranty and understand clearly that there were and are no other representations of warranties either expressed or implied, made by anyone. I have been advised on proper operation, maintenance and lubrication procedure of this equipment. I have been instructed on and do understand the application, limitation and capacities this equipment was designed and recommended for, all as described in the Operator's Manual and literature published by Rotomecc.</p>
Inspected by: _____		
Date: _____		Date: _____
Dealer's Signature: _____		Customer's Signature: _____

This registration along with a copy of the invoice must be sent to Rotomecc spa within 14 days of date of purchase.

Sender:

Fold here

*Place stamp
here*

ROTOMECC spa
Via Molino di Sopra, 56
37054 Nogara (VR)
ITALY

Cut along this line



Use only original spare parts

All rights reserved. It is unlawful to copy, reprint or use any of the information or details in this manual without the expressed written permission of the Company. Technical information provided in this manual is approximate, the Company reserves the right to modify or improve the models shown for technical or commercial purposes. Pictures in this manual do not necessarily show the machine as delivered.

ROTOMECSpa

Via Molino di Sopra, 56

37054 Nogara (VR), Italy

Tel.: +39.0442.510400 - Fax: +39.0442.510038

www.rotomec.com

